

COOPER[®]

BATH

TO MAKE PREMIUM BATHROOM PRODUCTS WITH SMART LINES
TO SHARE WONDERFUL DAILY LIFE WITH WONDERFUL " YOU "

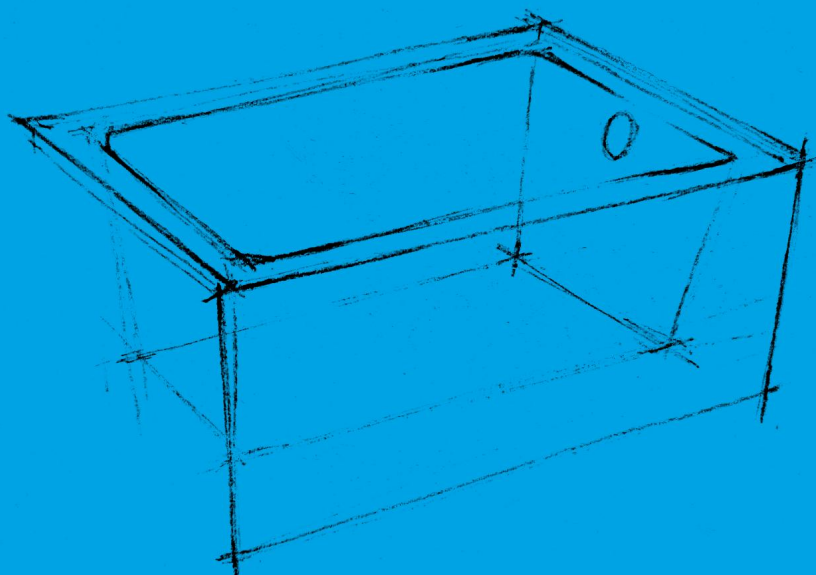


Corporate Mission:

To make premium bathroom products with smart lines

To share wonderful daily life with wonderful “ you ”

APRON BATHTUB

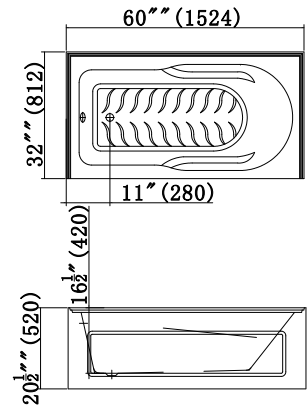




WTM-02835L/R

1524mm×813mm×520mm

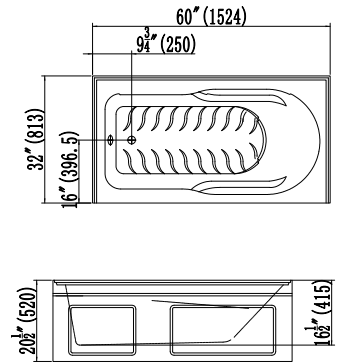
ITEM	N.W Capacity CLR.		
02835-1524L/R	31kg	150L	<input type="checkbox"/>



WTM-02836L/R

1524mm×813mm×520mm

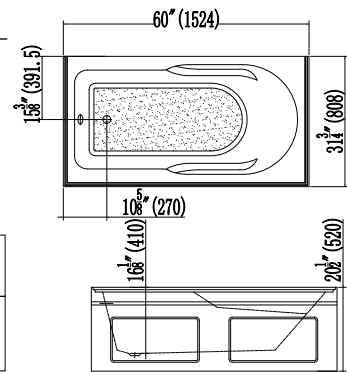
ITEM	N.W Capacity CLR.		
02836-1524L/R	31kg	150L	<input type="checkbox"/>



WTM-02839L/R

1524mm×808mm×520mm

ITEM	N.W Capacity CLR.		
02839-1524L/R	32kg	150L	<input type="checkbox"/>

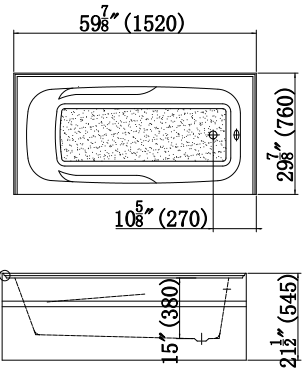




WTM-02841L/R

1524mm×762mm×546mm

ITEM	N.W	Capacity	CLR.
02841-1524L/R	30kg	142L	<input type="checkbox"/>

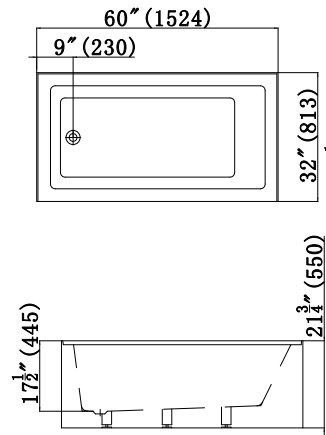


WTM-02845/49/50/51/57/59/66L/R

1524mm×780mm×560mm
 1524mm×762mm×550mm
 1524mm×813mm×550mm
 1524mm×914mm×550mm
 1372mm×762mm×550mm
 1677mm×915mm×550mm
 1219mm×813mm×550mm



ITEM	N.W	Capacity	CLR.
02845-1524L/R	30kg	182L	<input type="checkbox"/>
02849-1524L/R	30kg	205L	<input type="checkbox"/>
02850-1524L/R	32kg	226L	<input type="checkbox"/>
02851-1524L/R	35kg	245L	<input type="checkbox"/>
02857-1372L/R	27kg	197L	<input type="checkbox"/>
02859-1677L/R	32kg	282L	<input type="checkbox"/>
02866-1219L/R	35kg	173L	<input type="checkbox"/>

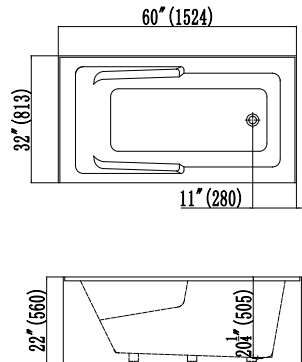


WTM-02848/60L/R

1524mm×813mm×560mm
 1520mm×762mm×560mm



ITEM	N.W	Capacity	CLR.
02848-1524L/R	32kg	194L	<input type="checkbox"/>
02860-1520L/R	27kg	158L	<input type="checkbox"/>

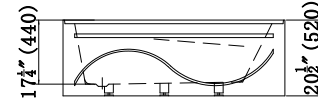
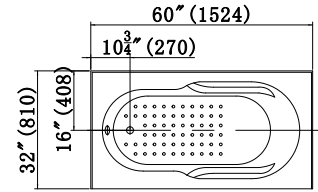




WTM-02852L/R

1524mm×813mm×520mm

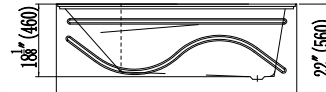
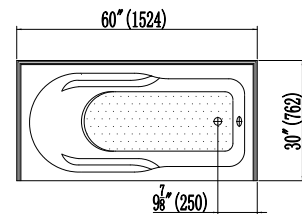
ITEM	N.W	Capacity	CLR.
02852-1524L/R	32kg	205L	<input type="checkbox"/>



WTM-02854L/R

1524mm×762mm×560mm

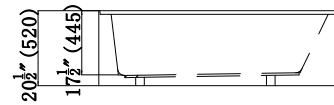
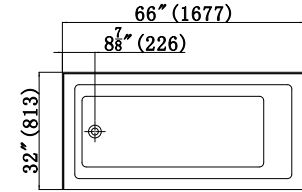
ITEM	N.W	Capacity	CLR.
02854-1524L/R	30kg	179L	<input type="checkbox"/>



WTM-02855L/R

1677mm×813mm×520mm

ITEM	N.W	Capacity	CLR.
02855-1677L/R	31kg	219L	<input type="checkbox"/>

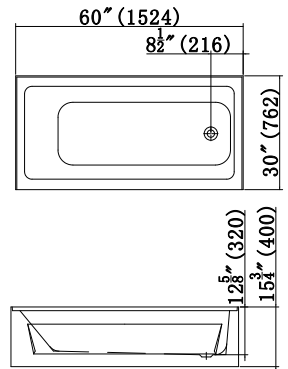




WTM-02856L/R

1524mm×762mm×400mm

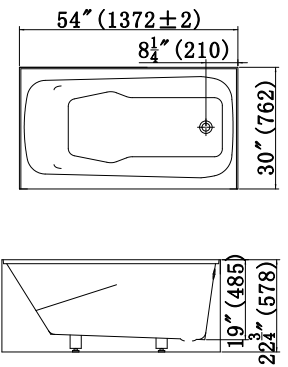
ITEM	N.W Capacity CLR.		
02856-1524L/R	23kg	117L	<input type="checkbox"/>



WTM-02858L/R

1370mm×762mm×578mm

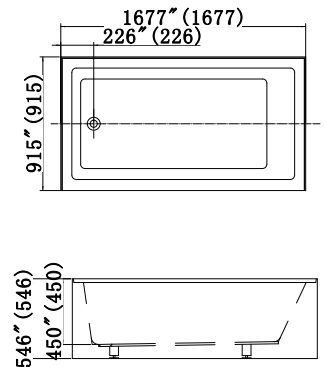
ITEM	N.W Capacity CLR.		
02858-1370L/R	27kg	229L	<input type="checkbox"/>



WTM-02859L/R

1677mm×915mm×546mm

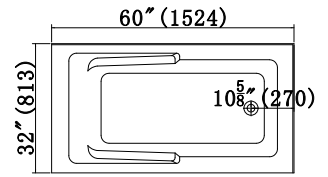
ITEM	N.W Capacity CLR.		
02859-1690L/R	45kg	310L	<input type="checkbox"/>



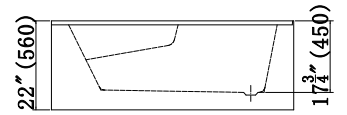


WTM-02861L/R

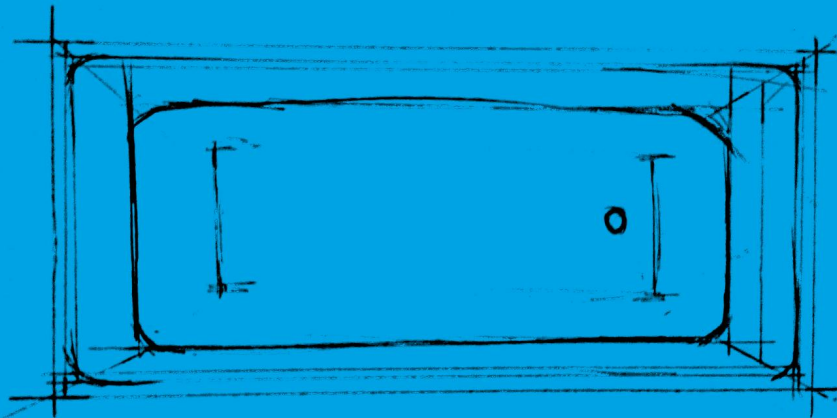
1524mm×813mm×560mm



ITEM	N.W	Capacity	CLR.
02861-1524L/R	34kg	179L	<input type="checkbox"/>



DROP-IN BATHTUB

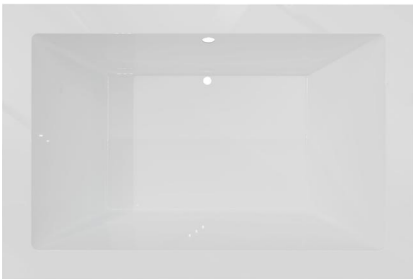
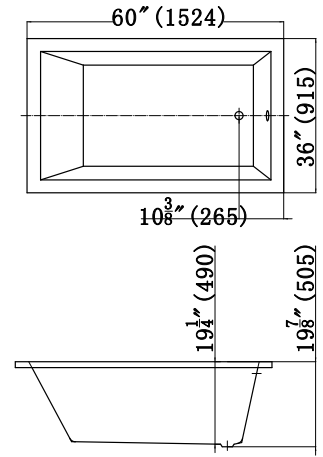




WTM-02310D

1524mm×762mm×495mm
 1524mm×915mm×495mm
 1677mm×915mm×495mm
 1829mm×915mm×495mm

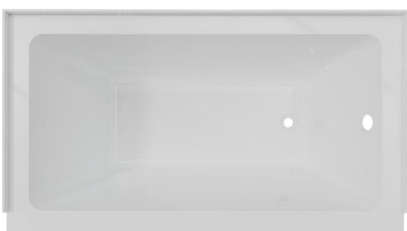
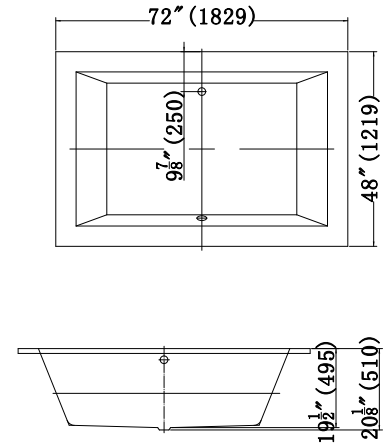
ITEM	N.W	Capacity	CLR.
02310D-1524	25kg	229L	<input type="checkbox"/>
02310D-1524	27kg	289L	<input type="checkbox"/>
02310D-1677	29kg	335L	<input type="checkbox"/>
02310D-1829	32kg	365L	<input type="checkbox"/>



WTM-02311D

1677mm×1067mm×495mm
 1829mm×1067mm×495mm
 1829mm×1219mm×495mm

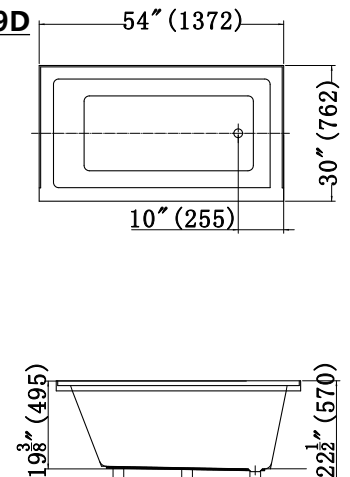
ITEM	N.W	Capacity	CLR.
02311D-1677	39kg	322L	<input type="checkbox"/>
02311D-1829	42kg	374L	<input type="checkbox"/>
02311D-1829	45kg	451L	<input type="checkbox"/>



WTM-02319D/20D/21D/22D/29D

1372mm×763mm×495mm
 1524mm×813mm×502mm
 1677mm×813mm×502mm
 1518mm×813mm×450mm
 1524mm×762mm×500mm
 1219mm×813mm×515mm

ITEM	N.W	Capacity	CLR.
02319D-1372	21.9kg	186L	<input type="checkbox"/>
02319D-1524	23kg	224L	<input type="checkbox"/>
02320D-1677	27kg	254L	<input type="checkbox"/>
02321D-1518	19kg	215L	<input type="checkbox"/>
02322D-1524	20kg	211L	<input type="checkbox"/>
02329D-1219	21kg	182L	<input type="checkbox"/>

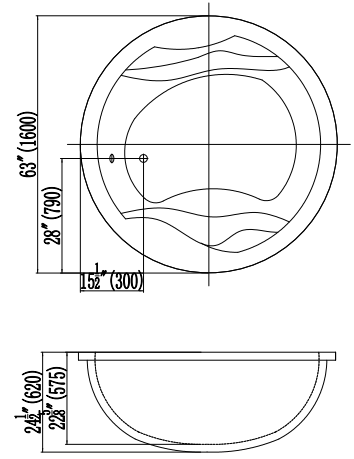




WTM-02401D

1590mm×1590mm×460mm

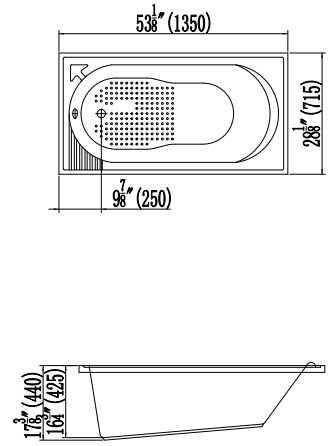
ITEM	N.W	Capacity	CLR.
02401D-1590	23.6kg	600L	<input type="checkbox"/>



WTM-02801

1350mm×715mm×440mm
 1450mm×715mm×440mm
 1550mm×715mm×440mm
 1670mm×715mm×440mm

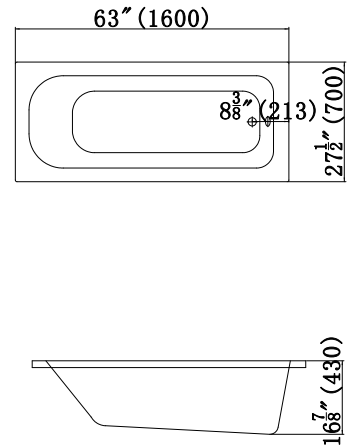
ITEM	N.W	Capacity	CLR.
02801-1350	17.5kg	165L	<input type="checkbox"/>
02801-1450	18kg	175L	<input type="checkbox"/>
02801-1550	18.5kg	185L	<input type="checkbox"/>
02801-1670	19kg	195L	<input type="checkbox"/>



WTM-02804

1600mm×700mm×430mm
 1710mm×710mm×450mm

ITEM	N.W	Capacity	CLR.
02804-1600	18kg	151L	<input type="checkbox"/>
02804-1710	20kg	194L	<input type="checkbox"/>

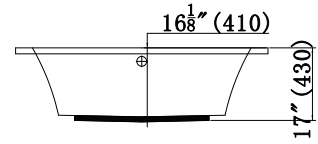
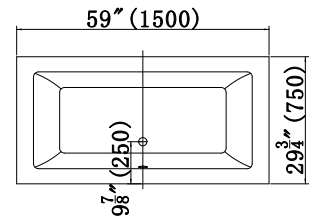


WTM-02807

1500mm×750mm×430mm
 1700mm×750mm×430mm
 1800mm×800mm×430mm



ITEM	N.W	Capacity	CLR.
02807-1500	17kg	146L	<input type="checkbox"/>
02807-1700	22kg	172L	<input type="checkbox"/>
02807-1800	26kg	192L	<input type="checkbox"/>

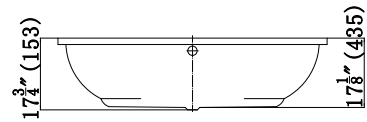
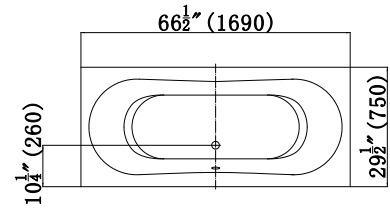


WTM-02808

1700mm×750mm×435mm
 1800mm×800mm×435mm



ITEM	N.W	Capacity	CLR.
02808-1700	22kg	184L	<input type="checkbox"/>
02808-1800	25.4kg	221L	<input type="checkbox"/>

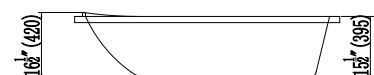
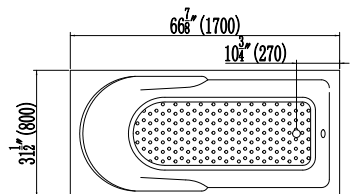


WTM-02816

1700mm×750mm×420mm
 1700mm×800mm×420mm

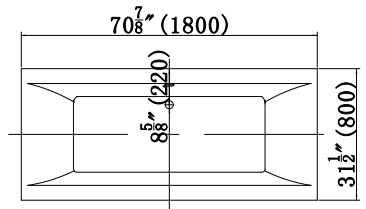
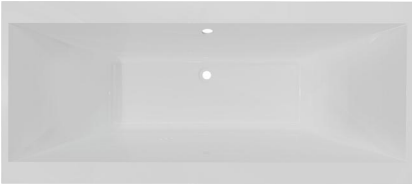


ITEM	N.W	Capacity	CLR.
02816-1700	16kg	140L	<input type="checkbox"/>
02816-1700	17kg	151L	<input type="checkbox"/>

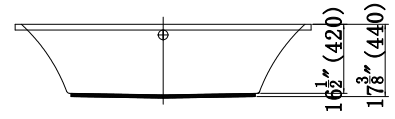


WTM-02817

1700mm×750mm×440mm
1800mm×800mm×440mm

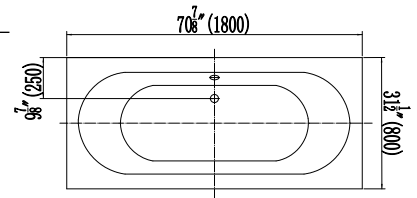


ITEM	N.W	Capacity	CLR.
02817-1700	22kg	203L	<input type="checkbox"/>
02817-1800	23kg	233L	<input type="checkbox"/>

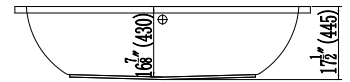


WTM-02818

1700mm×700mm×450mm
1700mm×750mm×450mm
1800mm×800mm×450mm

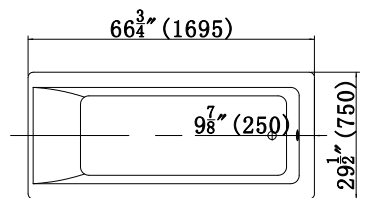


ITEM	N.W	Capacity	CLR.
02818-1700	22kg	163L	<input type="checkbox"/>
02818-1700	22kg	174L	<input type="checkbox"/>
02818-1800	23kg	206L	<input type="checkbox"/>

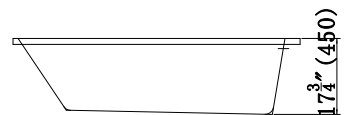


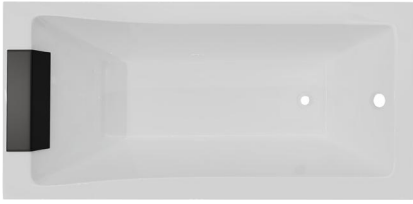
WTM-02819

1700mm×700mm×430mm
1700mm×750mm×430mm
1800mm×800mm×430mm



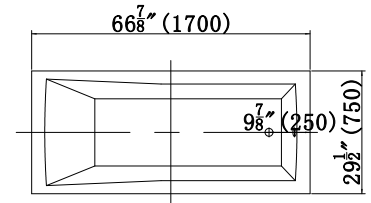
ITEM	N.W	Capacity	CLR.
02819-1700	21kg	205L	<input type="checkbox"/>
02819-1700	21kg	228L	<input type="checkbox"/>
02819-1800	22kg	266L	<input type="checkbox"/>



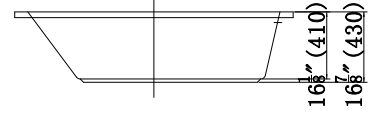


WTM-02820

1400mm×750mm×440mm
 1500mm×750mm×440mm
 1600mm×700mm×440mm
 1700mm×750mm×440mm



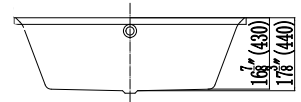
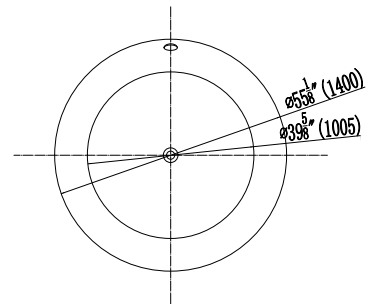
ITEM	N.W	Capacity	CLR.
02820-1400	16.5kg	170L	<input type="checkbox"/>
02820-1500	17.5kg	180L	<input type="checkbox"/>
02820-1600	18.5kg	180L	<input type="checkbox"/>
02820-1700	19.5kg	200L	<input type="checkbox"/>



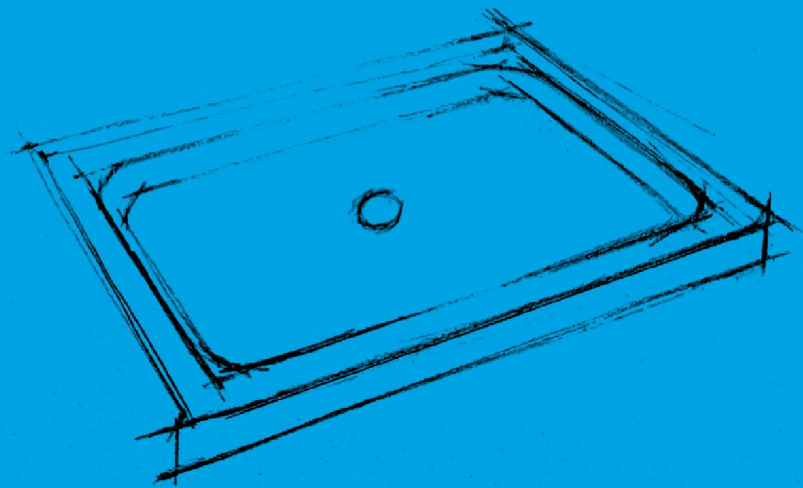
WTM-02832

1400mm×1400mm×440mm
 1500mm×1500mm×440mm
 1600mm×1600mm×440mm
 1700mm×1700mm×440mm

ITEM	N.W	Capacity	CLR.
02832-1400	24kg	320L	<input type="checkbox"/>
02832-1500	25kg	350L	<input type="checkbox"/>
02832-1600	26kg	380L	<input type="checkbox"/>
02832-1700	27kg	400L	<input type="checkbox"/>



SHOWER BASE



ACRYLIC SHOWER BASE

-2.5mm Acrylic with fiberglass reinforcement -Total thickness 13-15mm -Color option: white/black/gray



Round center drain
-2integrated tile flange



ITEM
WTM-013232ROUND-01401
WTM-013636ROUND-01406

Size
32"x32"x5.5"
36"x36"x5.9"

ITEM
WTM-014040ROUND-01408

Size
40"x40"x5.9"



Rectangle left hand drain
-3integrated tile flange



ITEM
WTM-014230L-01057L
WTM-014836L-01473L
WTM-015428L-01058L
WTM-016030L-01499L
WTM-016030L-01418L
WTM-016030L-01425L

Size
42"x30"x5.5"
48"x36"x4.5"
54"x28"x5.5"
60"x30"x4.9"
60"x30"x5.5"
60"x30"x5.9"

ITEM
WTM-016032L-01478L
WTM-016032L-01415L
WTM-016034L-01475L
WTM-016034L-01456L
WTM-016036L-01405L
WTM-017248L-01060L

Size
60"x32"x4.9"
60"x32"x5.5"
60"x34"x3.7"
60"x34"x5.5"
60"x36"x5.5"
72"x48"x5.5"



Rectangle right hand drain
-3integrated tile flange



ITEM
WTM-014836R-01473R
WTM-016030R-01499R
WTM-016030R-01418R
WTM-016030R-01425R
WTM-016032R-01478R

Size
48"x36"x4.5"
60"x30"x4.9"
60"x30"x5.5"
60"x30"x5.9"
60"x32"x4.9"

ITEM
WTM-016032R-01415R
WTM-016034R-01475R
WTM-016034R-01456R
WTM-016036R-01405R

Size
60"x32"x5.5"
60"x34"x3.7"
60"x34"x5.5"
60"x36"x5.5"



NEO center drain
-2 integrated tile flange



ITEM
WTM-013232NEO-01062
WTM-013636NEO-01404

Size
32"x32"x5.5"
36"x36"x5.5"

ITEM
WTM-014242NEO-01410

Size
42"x42"x5.5"



Rectangle center drain
-3 integrated tile flange



ITEM
WTM-014048C-01447

Size
40"x48"x5.5"

ITEM
WTM-014248C-01412

Size
42"x48"x5.5"

ACRYLIC SHOWER BASE

-2.5mm Acrylic with fiberglass reinforcement -Total thickness 13-15mm -Color option: white/black/gray



Rectangle center drain

-3integrated tile flange



ITEM	Size
WTM-014236C-01409C	42"x36"x5.5"
WTM-014238C-01064C	42"x38"x5.5"
WTM-014832C-01480C	48"x32"x3"
WTM-014832C-01431C	48"x32"x5.5"
WTM-014836C-01403C	48"x36"x5.5"
WTM-014838C-01477C	48"x38"x5.5"
WTM-015232C-01451C	52"x32"x5.5"
WTM-016030C-01418C	60"x30"x5.5"
WTM-016032C-01415C	60"x32"x5.5"

ITEM	Size
WTM-017234C-01454C	72"x34"x4.6"
WTM-017836C-01433C	78"x36"x7"
WTM-016034C-01464C	60"x34"x5.5"
WTM-016036C-01446C	60"x36"x3.5"
WTM-016036C-01405C	60"x36"x5.5"
WTM-016042C-01488C	60"x42"x5.5"
WTM-016048C-01483C	60"x48"x5.5"
WTM-016632C-01450C	66"x32"x5.5"
WTM-016636C-01497C	66"x36"x3.4"



Square center drain

-2integrated tile flange



ITEM	Size
WTM-013636D-01416	36"x36"x5.5"



Square center drain

-3integrated tile flange



ITEM	Size
WTM-013232C-01498C	32"x32"x5.5"
WTM-013636C-01417C	36"x36"x5.5"
WTM-013838C-01489C	38"x38"x5.5"

ITEM	Size
WTM-014242C-01411C	42"x42"x5.5"
WTM-014848C-01414C	48"x48"x5.5"



Rectangle center drain

-2 integrated tile flange

-Left hand threshold



ITEM	Size
WTM-014032DL-01474L	40"x32"x3.5"
WTM-014836DL-01445L	48"x36"x3.5"

ITEM	Size
WTM-014836DL-01423L	48"x36"x5.3"
WTM-016036DL-01446L	60"x36"x3.5"



Rectangle center drain

-2 integrated tile flange

-Right hand threshold



ITEM	Size
WTM-014032DR-01474R	40"x32"x3.5"
WTM-014836DR-01445R	48"x36"x3.5"

ITEM	Size
WTM-014836DR-01423R	48"x36"x5.3"
WTM-016036DR-01446R	60"x36"x3.5"

ACRYLIC SHOWER BASE

-2.5mm Acrylic with fiberglass reinforcement -Total thickness 13-15mm -Color option: white/black/gray



ADA center drain



-3 intergrated tile flange

ITEM	Size
WTM-013838ADA-01082C	38.6"x38"x4.8"
WTM-016038ADA-01079C	60"x38"x4.9"

ITEM	Size
WTM-016231ADA-01061C	62"x31"x4.7"
WTM-016236ADA-01465C	62"x36"x4.7"



With seat left

hand Drain



-3integrated tile flange

ITEM	Size
WTM-01493L	60"x32"x22.5"



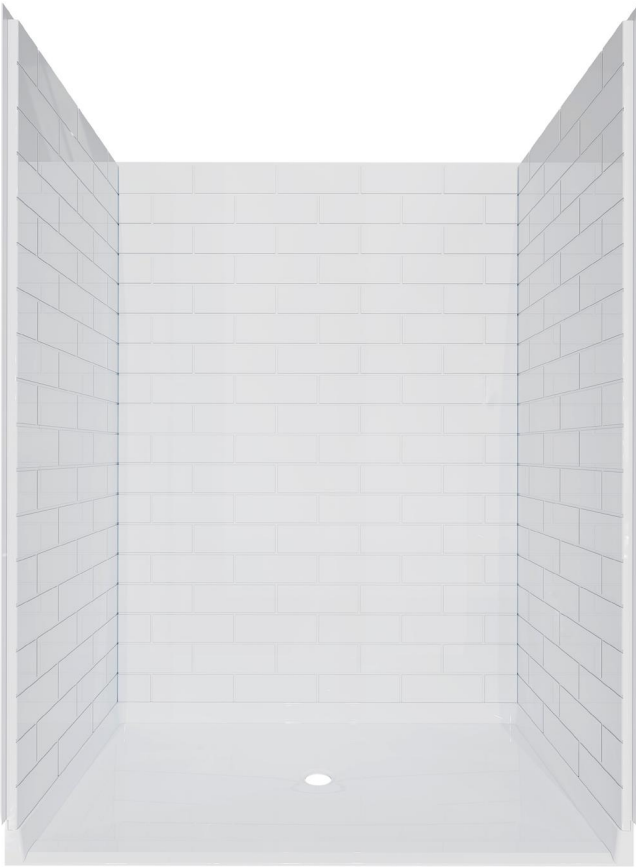
With seat right

hand Drain



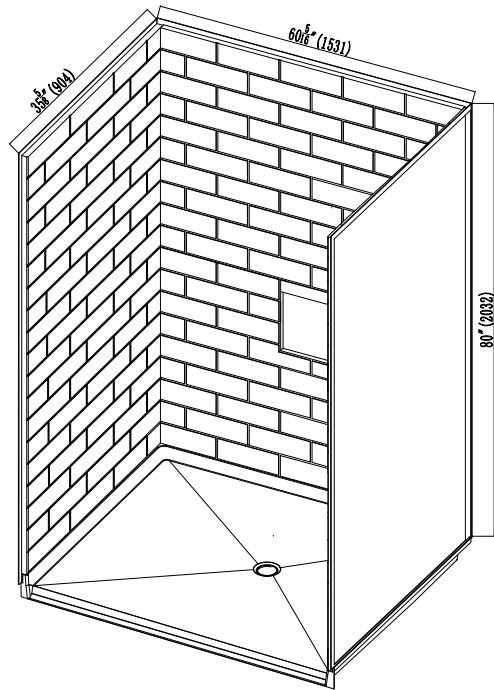
-3integrated tile flange

ITEM	Size
WTM-01493R	60"x32"x22.5"



WTM-01465

60"×37"×81"

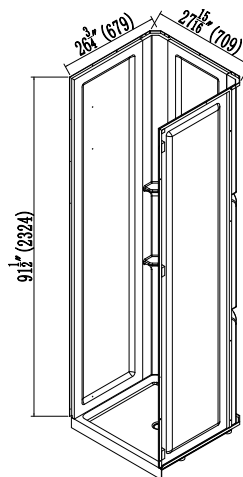


WTM-01466/67/84

34"×33"×92"

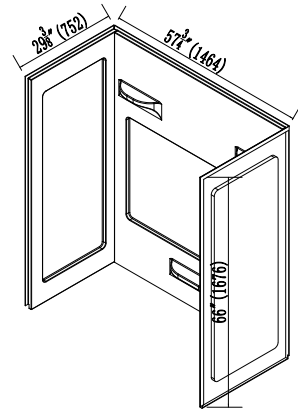
49"×32"×78"

40"×29"×92"





WTM-02916
60"×30"×66"



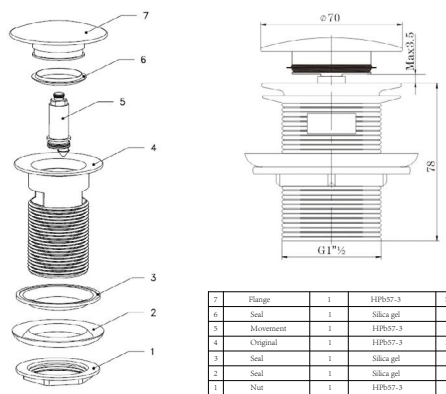
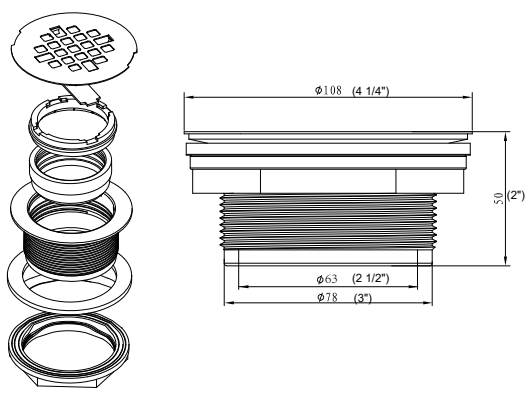
Launching and overflow

OUTDOOR FIRE HOT

15# shower drain

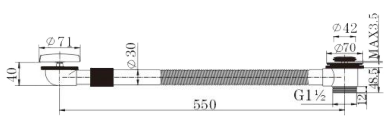


36 #drain



No	Item	QTY(PCS)	Material	G.W (g)	N.W (g)
7	Flange	1	HPb57-3	170	65
6	Seal	1	Silica gel		0.8
5	Movement	1	HPb57-3		2.8
4	Original	1	HPb57-3	310	120
3	Seal	1	Silica gel		4.9
2	Seal	1	Silica gel		6.5
1	Nut	1	HPb57-3		1.2
NO	Item	QTY(PCS)	Material	G.W (g)	N.W (g)

18# drainer

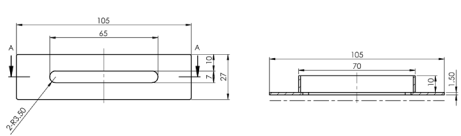


overflow flange

5# overflow flange



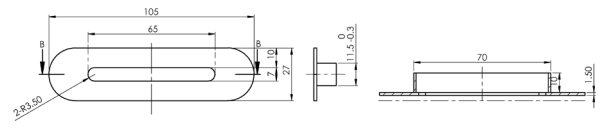
Color: Chrome/matt white/matt black



6# overflow flange

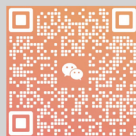


Color: Chrome/matt white/matt black



COOPER[®]

BATH



XUANCHENG COOPER SANITARY WARES CO.,LTD

NO. 1 TAIBAI AVENUE, ECONOMIC DEVELOPMENT ZONE, NANLING COUNTY, WUHU CITY

MOBILE:+86-18605692380 EMAIL:cooperxu1988@gmail.com

<https://www.cooperbath.com>